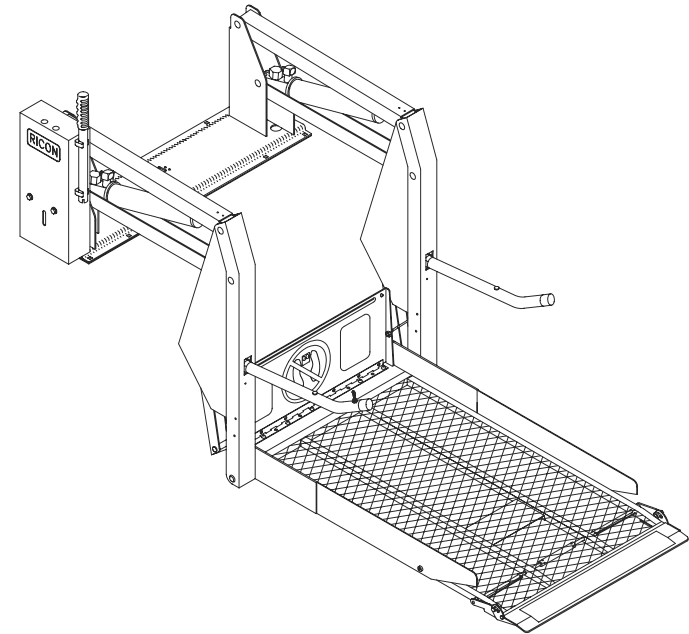




S-Series® Personal Use Lift



-PRINT-
Operator Manual

10/15/11

32DSSP01.B
-HOME-

©2011 RICON CORPORATION
All Rights Reserved



U.S. Patent Nos: 4,534,450; 5,308,215; 5,445,488; 5,605,431; 5,944,473
Australian Patent No: 661,127; 687,066 Canadian Patent No: 1,245,603; 2,168,761
Other U.S. and foreign patents pending.
Printed in the United States of America

This RICON product must be installed and serviced by a RICON dealer or qualified service technician.

The owner must refer to this manual for operating instructions, then retain it for future reference by RICON dealers or qualified service technicians that perform maintenance.

Customer Name: _____

Installing Dealer: _____

Date Installed: _____

Serial Number: _____

REVISION RECORD

REV	PAGES	DESCRIPTION OF CHANGE	ECR/ECO
32DSSP01 .B	Cover	Update to registered trademark and graphic.	6560
	i	Update to cover information.	
	1-1	Update to registered trademark.	
	1-2	Update to warranty literature.	
	2-1	Update to Safety Precautions.	
	2-1	Update to Figure 2-2 caption.	
	2-3	Update to Figure 2-3.	
	3-1	Update to registered trademark.	
END OF LIST			

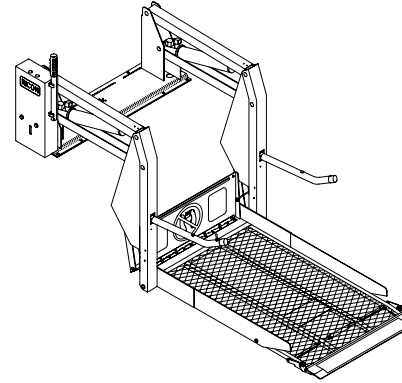
S-SERIES® PERSONAL LIFT TABLE OF CONTENTS

<i>Chapter:</i>	<i>Page</i>
I. INTRODUCTION	1-1
A. RICON FIVE-YEAR LIMITED WARRANTY	1-2
B. SHIPMENT INFORMATION.....	1-3
C. GENERAL SAFETY PRECAUTIONS	1-3
D. MAJOR LIFT COMPONENTS	1-4
II. OPERATING INSTRUCTIONS	2-1
A. SAFETY PRECAUTIONS.....	2-1
B. DAILY SAFETY CHECK	2-2
C. LIFT FUNCTIONS	2-3
D. CONTROLS AND INDICATORS.....	2-4
1. CONTROL PENDANT	2-4
2. HANDRAIL SWITCH.....	2-4
3. ELECTRICAL CONTROLS AND INDICATORS.....	2-5
4. MANUAL BACK-UP PUMP	2-6
E. LIFT OPERATION.....	2-7
1. ENTERING VEHICLE	2-8
2. EXITING VEHICLE	2-8
3. STOWING PLATFORM	2-9
4. MANUAL OPERATION.....	2-9
III. MAINTENANCE	3 1
A. MAINTENANCE INFORMATION	3-1
B. CLEANING	3-1
C. MAINTENANCE SCHEDULE	3-1
D. DECAL LOCATIONS.....	3-4

This page intentionally left blank.

I. S-SERIES® PERSONAL USE INTRODUCTION

The RICON S-Series® Personal Use Wheelchair Lift provides wheelchair access to personal vans. The patented movement provides smooth, safe entry and exit and easily lifts up to 800 pounds (364 kilograms). It is operated by the wheelchair occupant or a trained attendant. The lift contains a powerful electro-hydraulic pump that includes a built-in manual backup pump. If lift loses electrical power, it can still be raised or lowered manually.



By using lift control switches, the lift is unfolded out from vehicle (deployed). The user boards the large non-skid platform and the operator uses control switches to gently lower platform to ground. After user departs, the platform is raised and folded into vehicle (stowed). The lift is also available with a platform that splits and folds when lift is stowed, providing easy vehicle access through the lift.

This manual contains warranty information, safety precautions, and operating instructions for the lift. It is important to user safety that lift operator(s) be completely familiar with Operating Instructions chapter of this manual. Once lift is

installed, it is very important that lift be properly maintained by following the Ricon recommended cleaning, lubrication, and inspection instructions given in **Chapter III, "Maintenance"**.

If there are questions about this manual, or additional copies are needed, please contact Ricon Product Support at one of the following locations:

Ricon Corporation
7900 Nelson Road
Panorama City, Ca 91402 (818) 267-3000
Outside (818) Area Code..... (800) 322-2884
World Wide Website www.riconcorp.com

Ricon U.K. Ltd.
Littlemoss Business Park, Littlemoss Road
Droylsden, Manchester
United Kingdom, M43 7EF.....(+44) 161 301 6000

A. RICON FIVE-YEAR LIMITED WARRANTY

RICON S-SERIES® PERSONAL FIVE-YEAR LIMITED WARRANTY

Ricon Corporation (Ricon) warrants to original purchaser of this product that Ricon will repair or replace, at its option, any part that fails due to defective material or workmanship as follows:

- Repair or replace parts for a period of one year from date of purchase.
- Labor costs for specified parts replace under this warranty for a period of one year from date of purchase. A Ricon rate schedule determines the parts covered and labor allowed.
- Repair or replace lift power train parts for a period of five years from date of purchase. A list of parts covered can be obtained from your Ricon dealer or Ricon Product Support.

If You Need to Return a Product: Return this Ricon product to the installing dealer. Please give advance notice, and allow time for repairs.

If You are Traveling: Ricon dealers honor this warranty. Consult telephone directory or call our Product Support department for the name of the nearest Ricon dealer.

This Warranty does not Cover:

- Malfunction or damage to product parts caused by accident, misuse, lack of proper maintenance, neglect, improper adjustment, modification, alteration, the mechanical condition of vehicle, road hazards, overloading, failure to follow operating instructions, or acts of Nature (i.e., weather, lightning, flood).

Note: Ricon recommends that this product be inspected by a Ricon dealer or qualified service technician at least once every six months, or sooner if necessary. Any required maintenance should be performed at that time.



WARNING!

**THIS PRODUCT HAS BEEN DESIGNED AND MANUFACTURED TO EXACT SPECIFICATIONS.
MODIFICATION OF THIS PRODUCT IN ANY RESPECT CAN BE DANGEROUS.**

This Warranty is Void if:

- The product has been installed or maintained by someone other than a Ricon dealer or qualified service technician.
- The product has been modified or altered in any respect from its original design without written authorization by Ricon.

Ricon disclaims liability for any personal injury or property damage that results from operation of a Ricon product that has been modified from the original Ricon design. No person or company is authorized to change the design of this Ricon product without written authorization by Ricon.

Ricon's obligation under this warranty is exclusively limited to the repair or exchange of parts that fail within the applicable warranty period.

Ricon assumes no responsibility for expenses or damages, including incidental or consequential damages. Some states do not allow the exclusion or limitation of incidental or consequential damages, so the above limitation or exclusion may not apply.

Important: The warranty registration card must be completed and returned to Ricon within 20 days after installation of this Ricon product for the warranty to be valid. The warranty is not transferable.

The warranty gives specific legal rights, and there may be other rights that vary from state to state.

B. SHIPMENT INFORMATION

Ricon does not sell directly to the user because of the specialized nature of this product. The product is distributed through a worldwide network of Ricon dealers, who perform actual installation.

- When the product is received, unpack it and check for freight damage. Claims for any damage should be made to freight carrier immediately.
- Be sure installation kit contains all items listed on kit packing list. Please report any missing items immediately to Ricon Product Support. The warranty and owner registration cards must be completed and returned to Ricon within 20 days to validate warranty.

NOTE

The Sales/Service Personnel must review the Warranty and Operator Manual with user to verify they understand how to safely operate product. Instruct user to follow operating instructions without exception.

C. GENERAL SAFETY PRECAUTIONS

The following general safety precautions must be followed during operation:

- An injury, no matter how slight, should always be attended. Always administer first aid or seek medical attention immediately.
- To avoid injury, always exercise caution when operating and be certain that hands, feet, legs, and clothing are not in path of product movement.
- Read and thoroughly understand operating instructions before attempting to operate.
- Inspect product before each use. If an unsafe condition, unusual noises or movements exist, do not use it until problem is corrected.
- Stand clear of doors and platform and keep others clear during operation.
- The product requires regular periodic maintenance. A thorough inspection is recommended at least once every six months. The product should be maintained at the highest level of performance.

D. MAJOR LIFT COMPONENTS

The references used throughout this manual are illustrated in **Figure 1-1** and defined in **Table 1-1**. Refer to the Service Manual, Chapter IV, "Parts Diagrams and Lists" for more details.

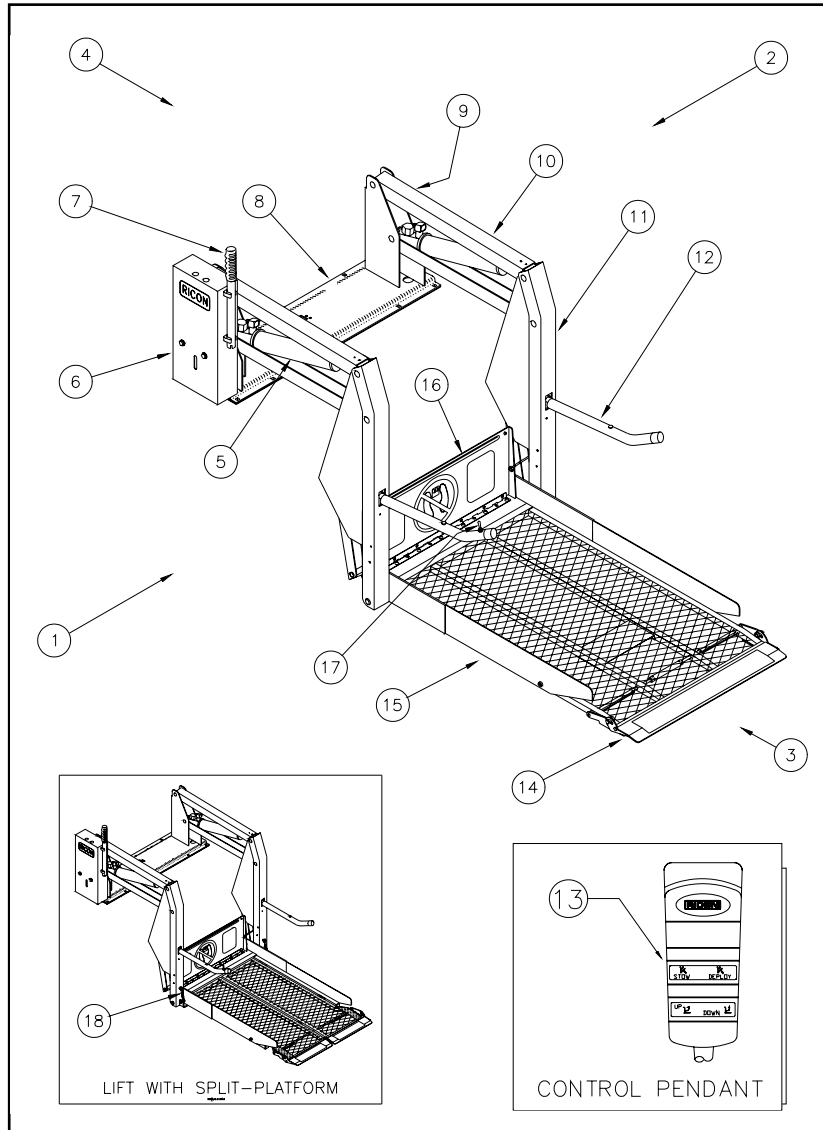


FIGURE 1-1: PERSONAL USE WHEELCHAIR LIFT

TABLE 1-1: S-SERIES PERSONAL LIFT TERMINOLOGY		
REF	NAME	DESCRIPTION
1	Left	Position references when lift is viewed from outside of vehicle.
2	Right	
3	Front	
4	Rear	
5	Hydraulic Cylinder	(Left and Right) Telescoping steel tube which converts hydraulic pressure into lifting force.
6	Hydraulic Power Unit	Contains pump used to create hydraulic pressure to raise and fold lift, as well as a valve to unfold and lower lift.
7	Manual Backup Pump Handle	Used to operate manual back up-pump when electrical power is not functional.
8	Baseplate Assembly	Assembly that bolts securely to vehicle floor.
9	Serial Number Location	Location of lift serial number decal.
10	Top/Bottom Arms	(Left/Right) Upper and lower links connecting vertical arm to base assembly.
11	Vertical Arm	(Left/Right) Connects platform and top/bottom arms.
12	Handrails	(Left/Right) Provide a hand-hold for platform occupant.
13	Control Pendant	Hand-held device used to control lift operating functions.
14	Platform Rollstop	Front barrier prevents wheelchair from slow, inadvertent rolling off of platform during lift operation.
15	Platform	Component of lift where wheelchair and occupant sit during "Up" and "Down" operations.
16	Inboard Rollstop (Bridgeplate)	Front barrier prevents wheelchair from slow, inadvertent rolling off of platform during lift operation.
17	Handrail Switch	Alternate switch that may be used by platform occupant to raise and lower lift.
18	Tie-Rod Assembly	(Left and Right) Links used on split platform models only that cause platform to split as it deploys (unfolds).
END OF TABLE		

This page intentionally left blank.

II. S-SERIES® PERSONAL USE OPERATING INSTRUCTIONS

This chapter contains safety precautions, daily safety check instructions, control and indicator descriptions and operating instructions for the RICON S-Series® Personal Use Wheelchair Lift. This chapter must be thoroughly understood by operator before attempting to use lift.

A. SAFETY PRECAUTIONS

The following safety precautions must be complied with at all times when operating lift:

- Refer to **Figure 2-1**. Deploying the lift when vehicle is on sloped ground is hazardous. Operate lift with vehicle parked on level ground.

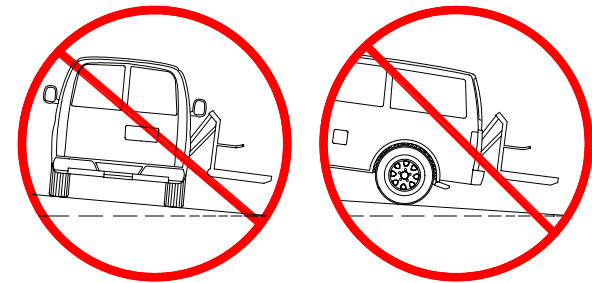


FIGURE 2-1: SLOPED PARKING HAZARD

- Vehicle must be safely parked with parking brake set before using lift.
- Inspect lift before use. Do not use lift if an unsafe condition exists, or unusual noises or movements are noticed, and contact a Ricon dealer or qualified service technician for repair.
- Read and comply with all warning labels and symbols affixed to wheelchair lift.
- Refer to **Figure 2-2**. Wheelchair occupant must face outward on platform when entering or exiting vehicle. Due to variations in the size and configuration of mobility aids, for maximum safety, Ricon requires that passengers always face outward when riding the lift platform.



FIGURE 2-2: ALWAYS FACE OUTBOARD WHEN RIDING ON THE LIFT PLATFORM

- It is never safe for a wheelchair occupant to exit a vehicle facing inboard. It is not safe to rely on a threshold warning device (audible or other) to confirm that it is safe to exit vehicle while facing inboard. Exiting the vehicle while facing outboard allows for visual confirmation that the lift platform has been raised in the event that the threshold warning device is inoperative or unheard and prevents the occupant from exiting the vehicle backwards when the platform is still on the ground.
- When exiting vehicle, verify that platform is at same height as floor and front rollstop is up and locked.

- Do not place equipment or furniture inside vehicle that may prevent pivoting of your wheelchair. Being able to pivot assures that you can safely exit facing outward.
- The outer rollstop is intended to prevent slow, or unintentional, rolling off the platform. The outer rollstop is not designed to stop a quick moving wheelchair. The wheelchair might tip and possibly injure its occupant if the small front wheels collide hard with the rollstop. The large rear wheels of a quick moving wheelchair can also roll over the rollstop. Use great care, board platform slowly, and lock wheelchair brakes.
- Be certain wheelchair fits safely on platform; it must not extend beyond edges or interfere with operation of rollstop.
- Do not operate with a load in excess of 800 lbs (364 kg).
- Keep arms, legs, and clothing away from moving lift parts.
- The lift is intended for ONE wheelchair and its occupant. Do not overload lift.
- **Refer to Figure 2-3.** Keep others clear while operating lift.



FIGURE 2-3: STAND CLEAR OF PLATFORM

- Do not allow an untrained person to operate lift.
- Careful supervision is necessary if used by or near children.
- Do not allow anyone to stand on bridgeplate. A bent bridgeplate can interfere with the platform as it raises and lowers.
- **LOCK WHEELCHAIR BRAKES** before moving platform (power chair users should turn off power and set brake).
- Use great care in wet conditions, because the wheelchair brakes are less effective if wheels or platform are wet.
- Never leave platform outside of vehicle. Return lift to stowed position after use.
- Do not place a wheelchair on lift if it is too large for the vehicle. The wheelchair must be able to pivot freely inside vehicle to comply with lift instructions for entering and exiting vehicle.

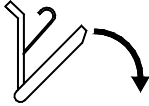
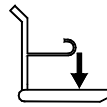
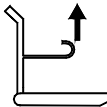

Read and understand these safety precautions. Review them periodically and ask any attendants or other operators to read them as well. Contact a Ricon dealer or Ricon Product Support if there are questions.

B. DAILY SAFETY CHECK

Inspect lift before each use and verify the following conditions are met before operating:

- All functions operate properly. **DO NOT** use if unusual noises or movements exist, and contact a Ricon dealer or qualified service technician for repair.
- Vehicle interlock is operating properly.
- No objects that may interfere with operation are present.
- General appearance and lubrication are satisfactory and all fasteners are tight.

C. LIFT FUNCTIONS

TABLE 2-1: LIFT FUNCTIONS		
FUNCTION		DESCRIPTION
	DEPLOY	Platform unfolds/deploys out of vehicle from stowed position. (If equipped with a Ricon power door operator, the door(s) automatically open before lift deploys.)
	DOWN	Platform is lowered from vehicle floor level position to ground level. (The rollstop automatically lowers when platform reaches ground level.)
	UP	Platform is raised from ground level to vehicle floor level. (The rollstop automatically rises when platform leaves ground level).
	STOW	Platform folds/stows from vehicle floor level to stowed position. (If equipped with a Ricon power door operator, the door(s) automatically close after lift stows.)
END OF TABLE		

NOTE: The up and down functions do not operate if platform is stowed.

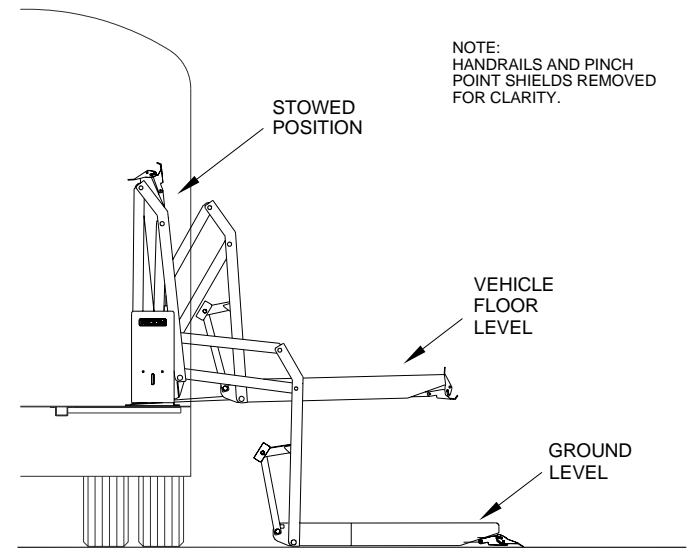


FIGURE 2-4: PLATFORM POSITIONS

D. CONTROLS AND INDICATORS

WARNING!

THE LIFT IS ALLOWED TO OPERATE ONLY WHEN VEHICLE MANUFACTURER'S INTERLOCK CIRCUITRY IS ACTIVATED. NEVER ATTEMPT TO OPERATE LIFT WITH INTERLOCK BYPASSED. REFER TO VEHICLE OWNER/OPERATOR MANUAL FOR INTERLOCK INSTRUCTIONS BEFORE OPERATING LIFT.

■ **Control Pendant**

Refer to **Figure 2-5**. The lift is controlled with a hand held, hard-wired remote control pendant. It has two dual-position rocker switches. The lift functions are performed by pushing and holding one end of an appropriate switch. Pushing DEPLOY switch unfolds lift from vehicle and pushing STOW switch folds platform into vehicle. Pushing DOWN switch lowers lift towards ground and pushing UP switch raises lift towards floor. The pendant is stowed on a wall-clip inside vehicle.

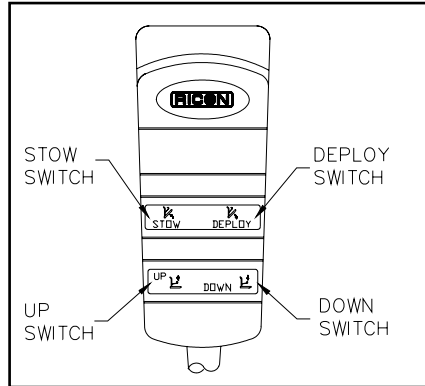


FIGURE 2-5: CONTROL PENDANT

■ **Handrail switch**

Refer to **Figure 2-6**. The alternate, spring-loaded handrail switch may be used by platform occupant to operate UP and DOWN functions of lift. The switch is located on the platform handrail. To perform desired function, push and hold switch until function is completed.

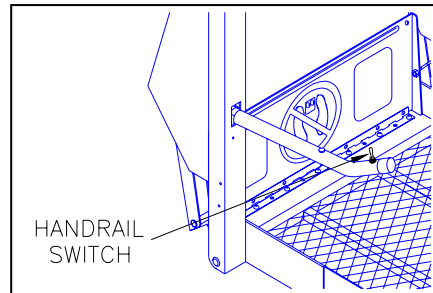


FIGURE 2-6: HANDRAIL SWITCH

- **Interlock Indicator Light**

Refer to **Figure 2-7**. The purpose of a vehicle interlock system is to prevent operation of lift if an unsafe condition is present. When vehicle interlock systems are interfaced with lift circuitry, the interlock indicator shows whether or not interlock is operating properly. The light is interfaced with electrical system so that no matter which interlock system/method is used, the light will be ON when interlock allows electrical power to lift and OFF when interlock has disabled power to lift. When there is no interlock system installed, the light stays illuminated at all times.

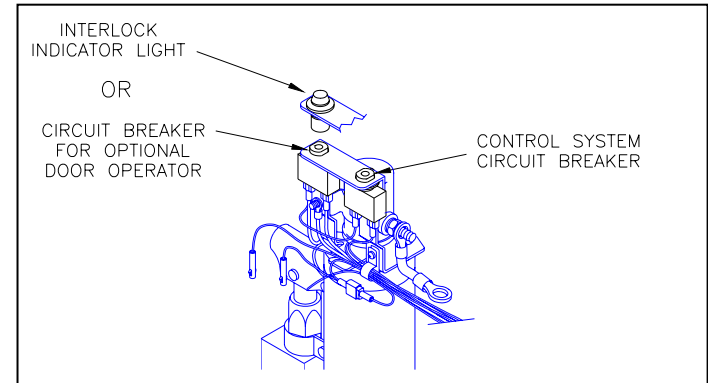


FIGURE 2-7: INDICATOR LIGHT/CIRCUIT BREAKERS

- **Optional Door Operator Circuit Breaker**

Refer to **Figure 2-7**. The circuit breaker for optional door operator is located on hydraulic pump assembly. In case of a door operator short circuit, the circuit breaker button will “pop-out”. If pressing and releasing button does not reset power, **DO NOT** press and hold. Contact a Ricon dealer or qualified service technician for repair. Refer to appropriate Remote Power Door Operator Service/Owner manual for a detailed description.

- **Control System Circuit Breaker**

Refer to **Figure 2-7**. The Control System Circuit Breaker is on hydraulic pump assembly. In case of a control system short circuit, circuit breaker button will “pop-out”. If pressing and releasing button does not reset power, **DO NOT** press and hold. Contact a Ricon dealer or qualified service technician for repair.

■ **Main Circuit Breaker**

Refer to **Figure 2-8**. The main circuit breaker is located in vehicle engine compartment and is designed to interrupt electrical power to lift electrical system when a short circuit occurs. In the event of a short circuit, the circuit breaker reset tab will “flip-down”. If pressing reset tab UP and releasing does not reset power, **DO NOT** press and hold tab. Contact a Ricon dealer or qualified service technician for repair.

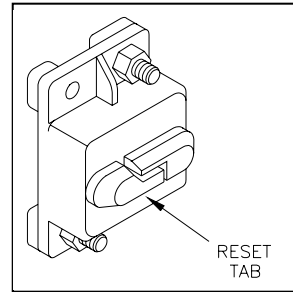


FIGURE 2-8: MAIN CIRCUIT BREAKER

■ **Manual Back-Up Pump**

Refer to **Figure 2-9**. The manual backup pump is used to operate lift if electrical power is not functional. The controls for pump consist of a pump handle for raising lift platform and a pump release valve for lowering it. Instructions for operating manual pump are provided in the **MANUAL OPERATION** paragraph, which is part of the **LIFT OPERATION** section in this chapter.

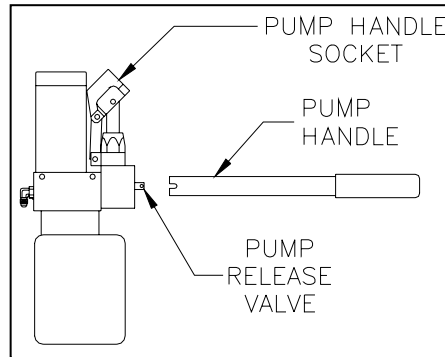


FIGURE 2-9: MANUAL BACKUP PUMP & HANDLE

E. LIFT OPERATION

WARNING

- IMPROPER USE OF LIFT CAN RESULT IN PERSONAL INJURY. USERS MUST READ AND FOLLOW OPERATING INSTRUCTIONS IN OPERATOR MANUAL. ADDITIONAL COPIES OF OPERATOR MANUAL ARE AVAILABLE FROM:

RICON CORPORATION
7900 NELSON ROAD
PANORAMA CITY, CA 91402
(800) 322-2884 or (818) 267-3000

- DO NOT EXCEED RATED LOAD CAPACITY OF 800 POUNDS (364 KG).
- PRIOR TO USE, INSPECT WHEELCHAIR LIFT FOR PROPER FUNCTION, REQUIRED MAINTENANCE, OR DAMAGE. IF A PROBLEM EXISTS, DO NOT USE LIFT AND CONTACT A RICON DEALER OR QUALIFIED SERVICE TECHNICIAN FOR REPAIR.
- THIS LIFT IS DESIGNED FOR USE BY WHEELCHAIR OCCUPANTS ONLY.

RICON CORPORATION DISCLAIMS LIABILITY FOR DAMAGE OR PERSONAL INJURY RESULTING FROM MODIFICATION TO LIFT, LACK OF MAINTENANCE OR REPAIR, NEGLIGENCE, ABUSE, OR FAILURE TO FOLLOW LIFT OPERATING INSTRUCTIONS.

- Before operating lift, be certain vehicle is safely parked on a level area away from traffic. Provide space for lift operation and passenger boarding.
- The lift operator must take special care to be certain that area is clear before deploying lift. Be certain there are no obstacles beneath platform.
- Open door(s) completely if lift is not equipped with a Ricon Remote Power Door Operator. If equipped with a power door operator, the vehicle door will automatically open before platform deploys/unfolds or close after platform is stowed/folded.
- If so equipped, be certain that safety interlock mechanism (e.g. transmission, parking brake, etc.) is properly engaged before attempting to operate lift. The lift **will not** operate until this feature has been engaged properly.

WARNING!

ATTENDANT SHOULD REMAIN NEAR PASSENGER TO RENDER IMMEDIATE ASSISTANCE, IF NECESSARY. KEEP OTHERS CLEAR WHEN OPERATING LIFT. MAINTAIN PRESSURE ON SWITCH UNTIL FUNCTION IS COMPLETE. BE CERTAIN WHEELCHAIR FITS PROPERLY ON PLATFORM AND DOES NOT CONTACT ROLLSTOP, WHICH WOULD PREVENT IT FROM LOCKING WHEN PLATFORM RISES.

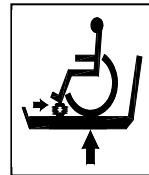
1. ENTERING VEHICLE:

- a. **DEPLOY PLATFORM** - Push and hold DEPLOY switch until platform completely unfolds from vehicle and stops at floor level.
- b. **LOWER PLATFORM** - DO NOT STAND on inboard rollstop as platform lowers. Push and hold DOWN switch until lift contacts ground and rollstop opens completely.
 - 1) Carefully place wheelchair centrally on platform, **facing outward** away from vehicle, and LOCK WHEELCHAIR BRAKES.
 - 2) Be certain wheelchair is safely within platform perimeter and does not interfere with operation of platform rollstop.
- c. **RAISE PLATFORM** - Push and hold UP switch until platform raises and stops automatically at vehicle floor level.
 - ◆ Release wheelchair brakes, carefully board passenger into vehicle, and secure wheelchair.
- d. Refer to “stowing platform” section below to stow platform.



2. EXITING VEHICLE:

- a. **DEPLOY PLATFORM** - Push and hold DEPLOY switch until platform completely unfolds from vehicle and stops at floor level.
 - 1) Be certain platform is safely at vehicle floor level and platform rollstop is in an up and locked position.
 - 2) Carefully place wheelchair centrally on platform, **facing outward** away from vehicle, and LOCK WHEELCHAIR BRAKES.
- b. **LOWER PLATFORM** - DO NOT STAND on inboard rollstop as platform lowers. Push and hold DOWN switch until platform settles at ground level. Carefully exit platform.
- c. **RAISE PLATFORM** - Push and hold UP switch until platform rises to vehicle floor level.
- d. Refer to “stowing platform” section below to stow platform.



3. STOWING PLATFORM:

- a. Push and hold STOW switch until platform folds completely into vehicle.



- b. Close vehicle doors if lift is not equipped with a power door operator. (If equipped with a power door operator, the vehicle door will automatically close after platform is stowed/folded.)

4. MANUAL OPERATION

Refer to **Figure 2-10**. The lift can be operated manually if lift electrical power is not functional.

Preparation:

- Be certain vehicle is on a level area and away from traffic. Allow enough space for lift operation and passenger boarding.
- The operator must summon emergency assistance to move vehicle to a safe operating area if a break down situation exists and vehicle cannot be moved under its own power.
- Check to be certain obstacles are not in path of lift.
- Open doors manually if vehicle is not equipped with a power door operator. If equipped with a power door operator, refer to its Operator Manual for manual operation instructions.

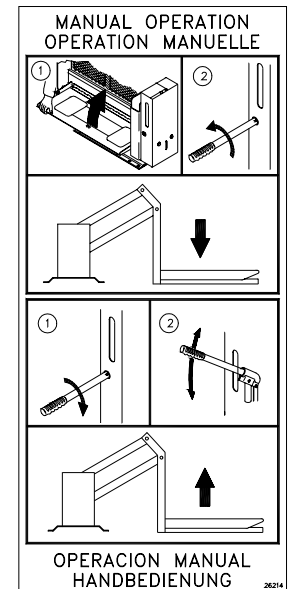
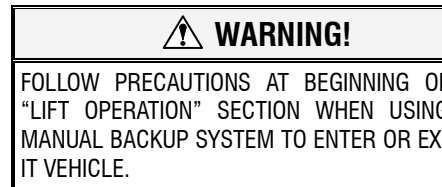


FIGURE 2-10: MANUAL OPERATION

a. Deploy Platform

- 1) Override "Sto-Loc" feature by lifting inboard rollstop. This will separate "Sto-Loc" catch (attached to underside of inboard rollstop) from "Sto-Loc" latch (affixed to lift base assembly). If "Sto-Loc" is difficult to separate, use manual backup pump to raise lift slightly and thereby remove tension from catch; refer to "Stow Platform" paragraph in this section.

- 2) Insert notched end of pump handle into manual backup system hole marked "RELEASE VALVE" and engage pump release valve.

 CAUTION!
<p>Do not open pump release valve more than 1/4-turn. Opening valve further may cause it to disengage from pump body, which will defeat pump lifting ability.</p>

- 3) Refer to **Figure 2-11**. Turn valve 1/4 turn COUNTER-CLOCKWISE to begin lowering platform. When platform reaches vehicle interior floor level turn valve CLOCKWISE to close; DO NOT OVER-TIGHTEN VALVE. Do not lower platform below vehicle floor level. The rear edge of in-board rollstop must rest flat on vehicle floor.

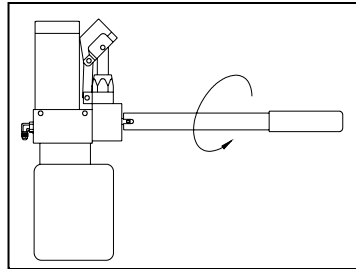


FIGURE 2-11: DEPLOY OR LOWER PLATFORM

b. Lower Platform

- 1) Turn valve 1/4 turn COUNTER-CLOCKWISE to begin lowering platform.
- 2) Hold valve OPEN until platform settles at ground level. Turn handle clockwise to CLOSE valve; DO NOT OVER-TIGHTEN VALVE.

c. Raise Platform

- 1) Refer to **Figure 2-12**. Check pump release valve to be certain it is closed.

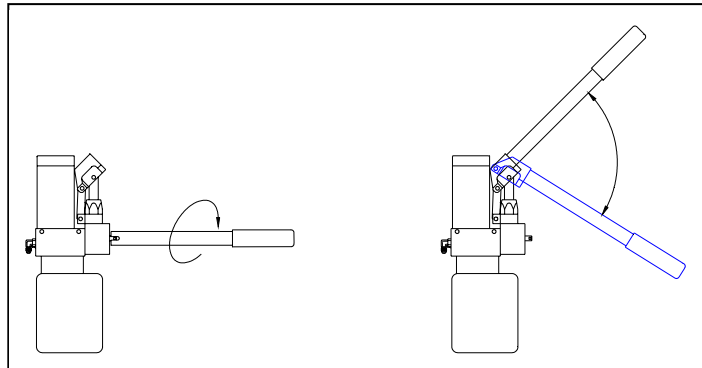


FIGURE 2-12: MANUAL BACK-UP PUMP – RAISE PLATFORM

- 2) Insert pump handle into pump handle socket. Operate pump to begin raising platform.
- 3) When platform reaches vehicle interior floor level turn valve CLOCKWISE to close; DO NOT OVER-TIGHTEN VALVE. Be careful not to raise platform past vehicle floor level. The rear edge of inboard rollstop must rest flat against vehicle floor.

d. Stow Platform

- 1) Refer to **Figure 2-12**. Check pump release valve to be certain it is closed.
- 2) Insert pump handle into pump handle socket. Operate pump to begin raising platform.
- 3) Operate pump until lift is COMPLETELY folded inside vehicle.
- 4) Stow pump handle. Close vehicle doors.

This page intentionally left blank.

III. S-SERIES® PERSONAL USE MAINTENANCE

Regular maintenance of the RICON S-Series® Personal Use Wheelchair Lift is required to provide optimum performance and reduce the need for repairs. This chapter contains cleaning instructions, a maintenance schedule, and decal information.

 **WARNING!**

THIS RICON PRODUCT IS HIGHLY SPECIALIZED. MAINTENANCE AND REPAIRS MUST BE PERFORMED BY A RICON DEALER OR QUALIFIED SERVICE TECHNICIAN USING RICON REPLACEMENT PARTS. MODIFYING OR FAILING TO PROPERLY MAINTAIN THIS PRODUCT WILL VOID WARRANTY, AND MAY RESULT IN UNSAFE OPERATING CONDITIONS.

A. MAINTENANCE INFORMATION

Additional maintenance information is available in the S-Series Personal Use Service manual, part number 32DSSP02. This manual is available from Ricon in printed hard copy, or the Ricon website in PDF format. The website is located at www.riconcorp.com. Click on RICON CORPORATION and then DEALER'S ROOM at the website. Entry to the dealer's room will require a Dealer Number and a Password.

B. CLEANING

Regular cleaning with mild soap (i.e. dish soap or car wash liquid) and drying thoroughly will protect lift painted surfaces. Cleaning is especially important in areas where roads are salted in winter. Make sure that lift pivot points are clean and dry prior to lubrication.

C. MAINTENANCE SCHEDULE

Under normal operating conditions, maintenance inspections are required at least every six months (1750 cycles) and a thorough inspection should be performed at service intervals in **Table 3-1**. Service should be increased during heavy use (more than 10 cycles per day).

TABLE 3-1: MAINTENANCE SCHEDULE	
SERVICE POINT	ACTION TO PERFORM
DAILY SAFETY CHECK	
Overall Condition	Listen for abnormal noises as lift operates (i.e. grinding or binding noises.)
Control Pendant	Verify that control pendant is undamaged and cable connectors are tight.
TWO WEEK SAFETY CHECK	
Overall Condition	<ul style="list-style-type: none"> ▪ Listen for abnormal noises as lift operates (i.e. grinding or binding noises.) ▪ Inspect underside of vehicle for anything that is out of place.
Control Pendant	Verify that control pendant is undamaged and cable connectors are tight.
Electrical Wiring	Inspect electrical wiring for frayed wires, loose connectors, etc.
Vehicle Interlock	Place vehicle in NON-INTERLOCK mode and attempt to operate lift.

TABLE 3-1: MAINTENANCE SCHEDULE



SERVICE POINT	ACTION TO PERFORM
Decals	Verify that lift decals are properly affixed, clearly visible, and legible. Replace, if necessary.
Handrails	Verify that handrail fasteners are properly tightened.
Lift Mounting Points	<ul style="list-style-type: none"> ▪ Verify that vehicle mounting and support points are undamaged. ▪ Verify that mounting bolts are sufficiently tight.
Main Lifting Pivots	Verify that arm pins are properly installed, free from damage, and locked in position.
Platform Pivot Points	Verify that platform moves freely, without binding, and does not wobble.
Bridgeplate (Inner rollstop)	<ul style="list-style-type: none"> ▪ Verify that bridgeplate operates without binding during lift functions. ▪ Verify that bridgeplate deploys fully when platform stops at floor level. ▪ Verify bridgeplate rests flat against baseplate.
Front Rollstop	<ul style="list-style-type: none"> ▪ Verify that rollstop opens completely when platform contacts ground. ▪ Verify that rollstop closes and locks when platform leaves ground.
Hydraulic Power Unit	 CAUTION
	Check and add fluid when platform is at GROUND level. Fluid that is added when platform is raised will overflow when platform is lowered.
	<ul style="list-style-type: none"> ▪ Verify that pump hydraulic fluid level is at FULL mark when platform is at ground level. Add Texaco 01554 Aircraft Hydraulic Oil or equivalent U.S. mil spec H5606G fluid.
	<ul style="list-style-type: none"> ▪ Verify there are no hydraulic fluid leaks. ▪ Verify that manual release valve is closed.
SIX MONTH SAFETY CHECK (or 1750 cycles of operation)	
Handrails	Verify that all handrail fasteners are properly tightened.
Cleaning and Lubrication	<ol style="list-style-type: none"> 1. Clean lift with mild soap and water and wipe dry. Prevent rust by coating all surfaces with a light oil. Remove excess oil. 2. Spray penetrating oil (Curtisol® Red Grease 88167 or WD-40®) where specified in Figure 3-1, following directions on container. Remove excess grease from surrounding areas.
 CAUTION	
The annual safety check must be performed by a Ricon dealer or qualified service technician.	
ANNUAL SAFETY CHECK (or 3500 cycles of operation)	

TABLE 3-1: MAINTENANCE SCHEDULE	
SERVICE POINT	ACTION TO PERFORM
Hydraulic Cylinder, Hoses and Fittings	<ul style="list-style-type: none"> ▪ Check hydraulic cylinder for evidence of leaks. ▪ Inspect hydraulic hoses for damage. ▪ Verify that all fittings are tight.
END OF TABLE	

D. DECAL LOCATIONS

Refer to **Figure 3-1**. Inspect decals at interval in **Table 3-1**. Inspect for chipping, peeling, fading, and illegibility. Order replacement decals with part number given in **Figure 3-1**, and apply where shown.

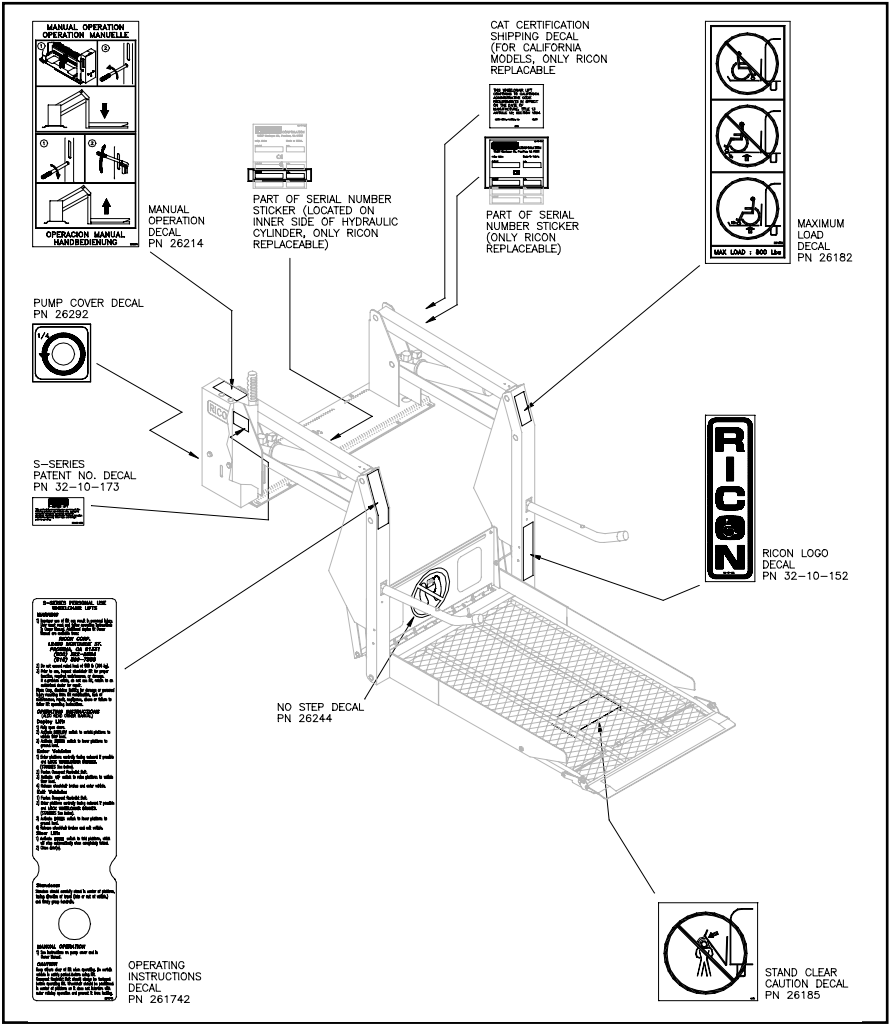


FIGURE 3-1: DECAL LOCATIONS AND PART NUMBERS

This page intentionally left blank.