



Innovation in Mobility

R1209
Six-Way Power Seat Base

[PRINT](#)

Operator Manual

This RICON product must be installed and serviced by authorized RICON service technicians.

The operator must refer to this manual for operating instructions, then retain it for future reference.

Customer Name: _____
Installing Dealer: _____
Date Installed: _____
Serial Number: _____

REVISION RECORD

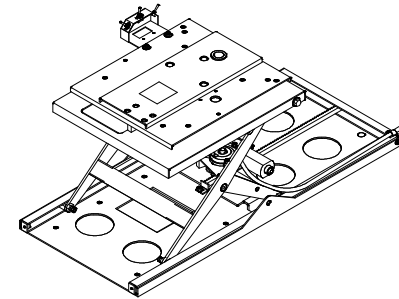
REVISION	PAGES	DESCRIPTION OF CHANGE	ECR/ECO
32DSB03. A	ALL	Initial Release	/4901

TABLE OF CONTENTS

<i>Chapter:</i>	<i>Page</i>
I. INTRODUCTION	1-1
A. RICON ONE-YEAR LIMITED WARRANTY	1-1
B. SHIPMENT INFORMATION	1-3
C. GENERAL SAFETY PRECAUTIONS	1-3
D. MAJOR SEAT BASE COMPONENTS	1-4
II. OPERATING INSTRUCTIONS	2-1
A. SAFETY PRECAUTIONS	2-1
B. DAILY SAFETY CHECK	2-1
C. POWER SEAT BASE OPERATION	2-2
1. CONTROLS AND FUNCTIONS	2-2
2. OPERATING POWER SEAT BASE	2-3
III. MAINTENANCE AND TROUBLESHOOTING	3-1
A. MAINTENANCE SCHEDULE	3-1
B. TROUBLESHOOTING GUIDE	3-1
C. ELECTRICAL WIRING DIAGRAM	3-3

I. INTRODUCTION

The RICON R1209 Six-Way Power Seat Base assists the transfer of a person from a wheelchair to an interior vehicle seat, and vice versa. The seat base provides 13.5" (34.3 centimeters) of front-to-rear travel, 9.0" (22.9 centimeters) of up and down travel, plus 90 degrees of right swivel and 82 degrees of left swivel. The original factory seat installs on the seat base. It uses a scissors-arm lifting mechanism with a capacity of 300 pounds (136 kilograms).



The R1209 Power Seat Base can be installed at either the driver or passenger seat positions, and is designed to provide adequate clearance from the airbag (SRS) control module located on the floor beneath the seat. Three fingertip control switches are used to control the motion of each seat.

This manual contains operation, service and maintenance instructions for the Power Seat Base. For installation instructions, please refer to the service manual. Once the Power Seat Base is installed, it is very important that it be properly maintained by following the Ricon recommended cleaning, lubrication and inspection instructions.

If there are questions about this manual, or additional copies are needed, please contact Ricon Product Support at one of the following locations:

Ricon Corporation
7900 Nelson Road
Panorama City, CA 91402(818) 267-3000
Outside (818) Area Code.....(800) 322-2884
World Wide Website www.riconcorp.com

Ricon U.K. Ltd.
Littlemoss Business Park, Littlemoss Road
Droylsden, Manchester
United Kingdom, M43 7EF.....(+44) 161 301 6000

A. RICON ONE-YEAR LIMITED WARRANTY (refer to following page)

RICON CORPORATION
ONE-YEAR LIMITED WARRANTY

Ricon Corporation (Ricon) warrants to the original purchaser of this product that Ricon will repair or replace, at its option, any parts that fail by reason of defective material or workmanship as follows:

- Repair or replace parts for a period of one year from date of purchase. A complete list of parts covered by this warranty can be obtained from an authorized Ricon dealer.

If You Need to Return a Product: Return this Ricon product to the installing dealer. Please give as much advance notice as possible and allow a reasonable amount of time for repairs.

If You are Traveling: All authorized Ricon dealers will honor this warranty. Consult a telephone directory or call our Product Support department for the name of the nearest authorized Ricon dealer.

This Warranty does not Cover:

- Labor or service charges (these may be covered separately by the installing dealer).
- Malfunction or damage to product parts caused by accident, misuse, lack of proper maintenance, neglect, improper adjustment, modification, alteration, the mechanical condition of vehicle, road hazards, overloading, failure to follow operating instructions, or acts of Nature (i.e., weather, lightning, flood).

Note: Ricon recommends that this product be inspected by an authorized Ricon service technician at least once every six months, or sooner if necessary. Any required maintenance should be performed at that time.



WARNING!

THIS PRODUCT HAS BEEN DESIGNED AND MANUFACTURED TO EXACT SPECIFICATIONS. MODIFICATION OF THIS PRODUCT IN ANY RESPECT CAN BE DANGEROUS.

This Warranty is Void if:

- The product has been installed or maintained by someone other than an authorized Ricon service technician.
- The product has been modified or altered in any respect from its original design without written authorization by Ricon.

Ricon disclaims liability for any personal injury or property damage that results from operation of a Ricon product that has been modified from the original Ricon design. No person or company is authorized to change the design of this Ricon product without written authorization by Ricon.

Ricon's obligation under this warranty is exclusively limited to the repair or exchange of parts that fail within the applicable warranty period.

Ricon assumes no responsibility for expenses or damages, including incidental or consequential damages. Some states do not allow the exclusion or limitation of incidental or consequential damages, so the above limitation or exclusion may not apply.

Important: The warranty registration card must be completed and returned to Ricon within 20 days after installation of this Ricon product for the warranty to be valid. The warranty is not transferable.

The warranty gives specific legal rights, and there may be other rights that vary from state to state.

B. SHIPMENT INFORMATION

Ricon does not sell directly to the user because of the specialized nature of the product. Instead, the product is distributed through the worldwide network of authorized Ricon dealers, who perform sales and installation.

- When the product is received, check the shock indicator on shipping box, unpack the product and check for freight damage. Claims for any damage should be made to the freight carrier immediately.
- Be sure the installation kit contains all items listed on the kit packing list. Please report any missing items immediately to Ricon Product Support. The warranty and owner registration cards must be completed and returned to Ricon within 20 days for the warranty to be valid.

NOTE: The Sales/Service Personnel must review the Warranty and this Operator Manual with the user to be certain that they understand the safe operation of the product. Instruct the user to follow the operating instructions without exception.

C. GENERAL SAFETY PRECAUTIONS

The following general safety precautions must be followed during seat base operation:

- To avoid injury, exercise caution when operating and be certain that hands, feet, legs, and clothing are clear of seat base.
- Read and thoroughly understand the operating instructions before attempting to operate.
- Inspect the product before each use. If an unsafe condition, unusual noises or movements exist, do not use seat base until the problem is corrected.
- The product requires periodic maintenance. The product should be maintained at the highest level of performance.

D. MAJOR SEAT BASE COMPONENTS

Component references used through out this manual are illustrated in **Figure 1-1** and defined in **Table 1-1**. Refer to the **Service Manual, Chapter IV** for more details. The illustration below is configured for installation on drivers side of vehicle.

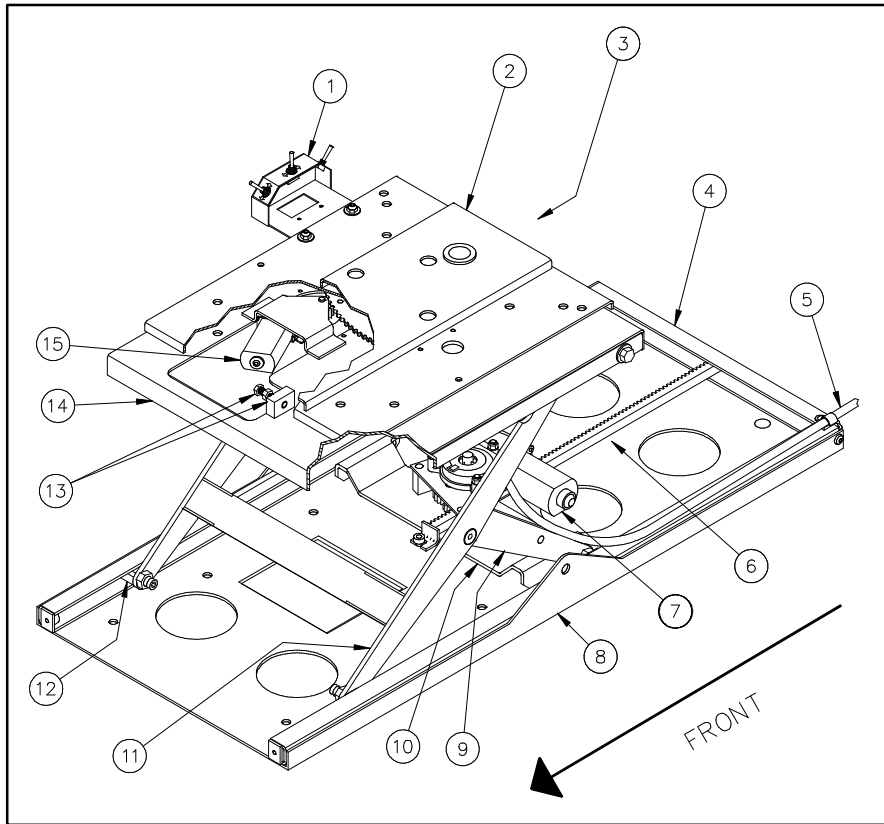


FIGURE 1-1: R1209 SIX WAY POWER SEAT BASE


TABLE 1-1: MAJOR POWER SEAT BASE COMPONENTS	
REF	DESCRIPTION
1	Control box assembly (mounts function control toggle switches)
2	Swivel plate
3 *	Scissor actuator motor assembly (located beneath upper frame assy)
4	Rear frame channel
5	Power seat base electrical harness
6	Rack gear assembly
7	Horizontal motor (forward & reverse)
8	Base frame
9	Inner scissor assembly
10	Horizontal drive plate
11	Outer scissor assembly
12	Slide bearing
13	Swivel adjustment stop (with screw & locknut)
14	Upper frame assembly
15	Swivel motor
* Item not shown.	
END OF TABLE	

II. OPERATING INSTRUCTIONS

This chapter contains operating instructions for the RICON Six-Way Power Seat Base. These instructions must be thoroughly understood by the operator and/or attendant before operating the Power Seat Base.

A. SAFETY PRECAUTIONS

Comply with the following safety precautions when operating the Power Seat Base:

 WARNING!
THE AIRBAG CONTROL MODULE THAT DEPLOYS THE AIRBAGS IS LOCATED ON THE FLOOR BENEATH THE SEATS, ON SOME MODELS. DO NOT PLACE OBJECTS BENEATH THE SEAT, AS THEY COULD CONTACT THE AIRBAG CONTROL MODULE AS A RESULT OF SEATBASE MOVEMENT, CAUSING THE AIRBAGS TO DEPLOY.

- The vehicle should be stationary when adjusting the Power Seat Base.
- Refer to **Figure 2-1**. The Power Seat Base should be adjusted with the vehicle parked on level ground, or near level.

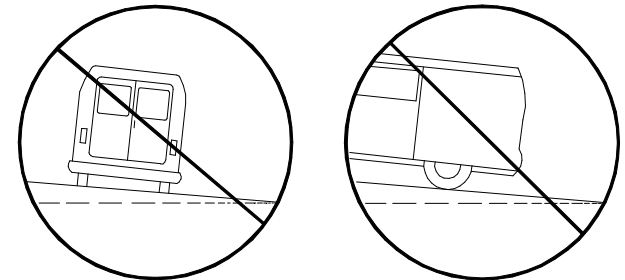


FIGURE 2-1: DO NOT ADJUST SEAT BASE IF VEHICLE IS ON STEEPLY SLOPED GROUND

- Do not operate with a load in excess of 300 lbs. (136 kg).
- Do not place arms, legs, or clothing in or near moving parts of seatbase.
- Keep others clear while operating seatbase.
- Do not allow an untrained person to operate seatbase.

Be sure that these safety precautions are understood. Review them periodically and ask any attendants or other operators to review them as well. If there are any questions, contact an the Ricon Product Support department.

B. DAILY SAFETY CHECK

Check that the following conditions are met before operating the Power Seat Base:

- If unusual noises or movements exist, DO NOT use seat base and contact an authorized Ricon dealer for repair.
- No objects are present that may interfere with operation of seatbase.

C. POWER SEAT BASE OPERATION

WARNING!

1. IMPROPER USE OF THE POWER SEAT BASE CAN RESULT IN PERSONAL INJURY. USERS MUST READ AND FOLLOW THE OPERATING INSTRUCTIONS. ADDITIONAL COPIES OF THE SERVICE/OWNER MANUAL ARE AVAILABLE FROM:

RICON CORPORATION
7900 Nelson Road
Panorama City, CA 91402
(818) 267-3000 OR (800) 322-2884

2. DO NOT EXCEED THE RATED LOAD CAPACITY OF 300 LBS. (136 KG).
3. PRIOR TO USE, INSPECT THE POWER SEAT BASE FOR PROPER FUNCTION, DAMAGE, AND CURRENT MAINTENANCE. IF A PROBLEM EXISTS, DO NOT USE THE POWER SEAT BASE AND CONTACT AN AUTHORIZED RICON DEALER FOR REPAIR.

RICON CORPORATION DISCLAIMS LIABILITY FOR DAMAGE OR PERSONAL INJURY RESULTING FROM IMPROPER INSTALLATION, MODIFICATION TO THE POWER SEAT BASE, LACK OF MAINTENANCE OR REPAIR, NEGLIGENCE, ABUSE OR FAILURE TO FOLLOW OPERATING INSTRUCTIONS.

1. CONTROLS AND FUNCTIONS

Refer to **Figures 2-2** and **2-3** (following page). The Power Seat Base is operated by three double-throw, momentary-type toggle switches on the Control Box. The switches provide the movements of up/down, forward/reverse, and swivel right/swivel left. The switches must be held ON until motion stops; releasing a switch will halt motion. Seat motion will cease automatically at the end of its travel. Make sure that the operator is familiar with each toggle switch function before using the Power Seat Base.

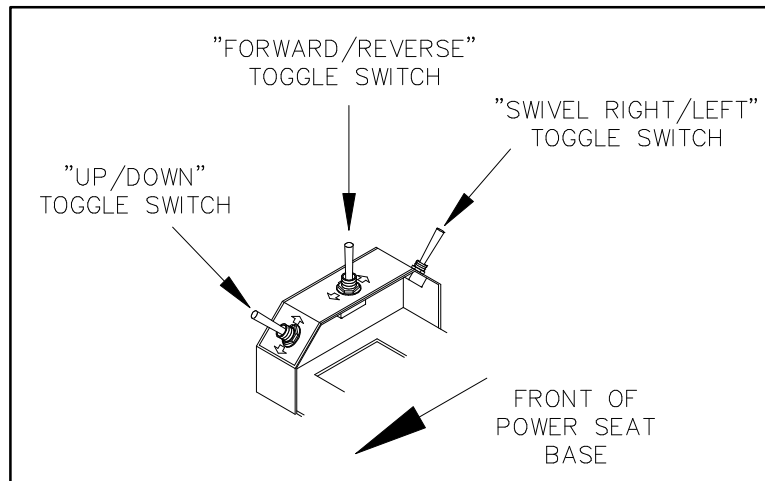


FIGURE 2-2: CONTROL BOX ASSEMBLY

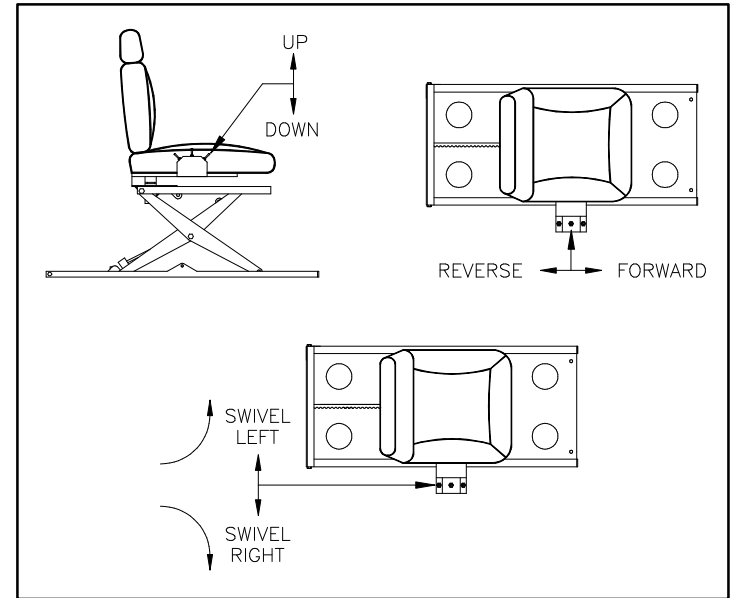


FIGURE 2-3: POWER SEAT BASE MOVEMENTS

2. OPERATING POWER SEAT BASE



WARNING!

DO NOT PLACE ARMS, LEGS, OR CLOTHING IN OR NEAR MOVING PARTS.

- a. To transfer from wheelchair to seat:



WARNING!

THE AIRBAG CONTROL MODULE THAT DEPLOYS THE AIRBAGS IS LOCATED ON THE FLOOR BENEATH THE SEATS ON SOME MODELS. DO NOT PLACE ANY OBJECTS BENEATH THE SEAT, AS THEY COULD CONTACT THE AIRBAG CONTROL MODULE AS A RESULT OF SEATBASE MOVEMENT, CAUSING THE AIRBAGS TO DEPLOY.

- ◆ Press and hold the "Forward/Reverse" toggle switch towards the rear to move the seat completely back.
- ◆ Press the "Up/Down" toggle switch until the seat reaches a position **SLIGHTLY LOWER** than the wheelchair seat.
- ◆ Press and hold the "Swivel Right/Left" toggle switch until the seat rotates to a position that will allow easy transfer (usually parallel to wheelchair).
- ◆ **LOCK WHEELCHAIR BRAKES** and transfer into the seat.
- ◆ After the transfer is complete rotate the seat to face forward, and adjust to a comfortable height.

- b. To transfer from seat to wheelchair
- ◆ Press and hold the "Forward/Reverse" toggle switch towards the rear to move the seat completely back.
 - ◆ Press the "Swivel Right/Left" toggle switch until the seat rotates to a position that will allow easy transfer (usually parallel to wheelchair).
 - ◆ Press and hold the "Up/Down" toggle switch until the seat reaches a position **SLIGHTLY HIGHER** than the wheelchair seat.
 - ◆ Verify that the **WHEELCHAIR BRAKES ARE LOCKED** and then transfer into the wheelchair.

III. MAINTENANCE AND TROUBLESHOOTING

Routine maintenance of the RICON R1209 Six-Way Power Seat Base will provide optimum performance while reducing the need for repairs. Ricon products are highly specialized, and maintenance must be performed by an authorized Ricon service technician, using Ricon replacement parts. Maintenance inspections should be done at least every six months.

A. MAINTENANCE SCHEDULE

TABLE 3-1: SIX MONTH SAFETY CHECK	
SERVICE POINT	ACTION TO PERFORM
Pivot point and fastener tightness.	Tighten, as necessary.
Upper frame and base frame inside rail lubrication.	Apply light oil, as necessary.
Scissor actuator (up/down ball and screw) lubrication.	Apply light oil, as necessary.
Electrical harness routing.	Adjust, as necessary.
Slide bearing wear on upper and lower rails.	Replace, if necessary.
Swivel plate bearing wear.	Replace, if necessary.
Rack gear wear.	Replace, if necessary.
END OF TABLE	